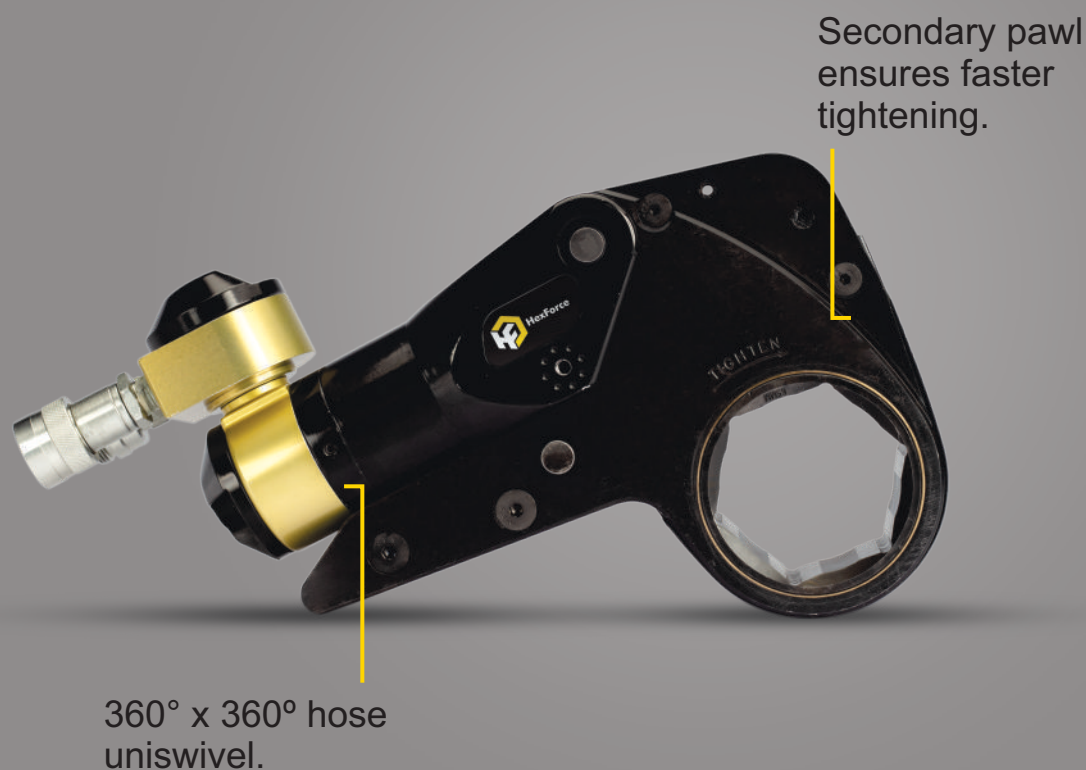




HexForce

HYDRAULIC TORQUE WRENCH



CNZ SERIES HEX DRIVE

HexForce CNZ hex drive torque wrench series are designed for confined spaces where other tools cannot operate or reach. Our sleek design offers the most perfect fit in the most confined spaces. Similar to the CNX series, the release lever for quick release of tool simplifies disengaging the torque wrench. These tools are ideal for applications where the bolt

protrusion is higher. The secondary pawl ensures faster tightening and prevents the ratchet from moving in the opposite direction.

There are various models available in this series with respect to the application ranging from 329 Nm - 41986 Nm.

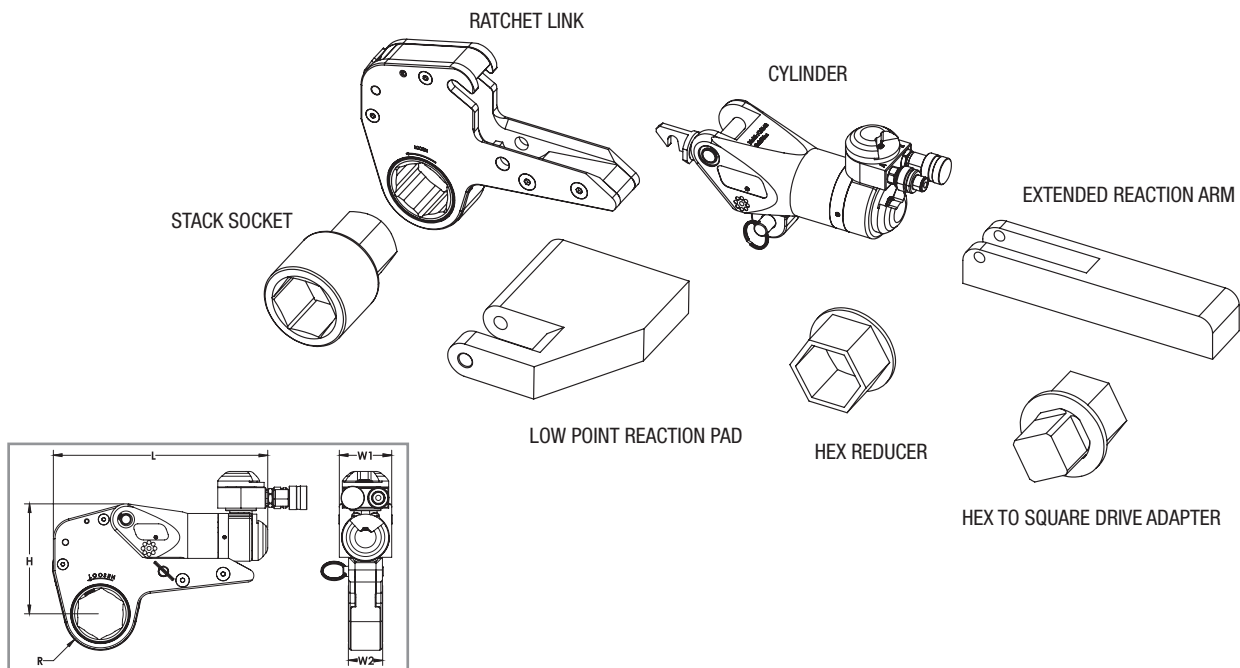
INTERPRETATION AS PER DIAGRAM:

- Maximum torque 41986 Nm (30967 ft.lbs)
- Max. Working pressure 70MPa (10,000psi)
- A/F range from 36mm to 180mm
- High repeatability, with accuracy +/-3%
- Double acting, heavy duty type
- Compact, high strength unibody construction
- The tool is made out of Aero-grade high strength Aluminium titanium alloy.
- The ratchet link is interchangeable from different sizes
- Self-lubricating low Nickel Bronze material for drive bush to protect body from wear n tear.
- Auto engagement of rod in first stroke.
- Coupler for quick leak proof connection.
- 360° x 360° swivel for better degree of movement.
- Simple round shaped cylinder design.
- Hard Chrome Plated Piston Rod for advanced wear n tear resistance.
- High Quality Seals for high pressure.
- Torsion free reaction pad.
- Balanced load on side plate due to alignment pin.
- Cold worked cylinder bore for longer life & heavy working conditions.
- Secondary Pawl to ensure faster tightening



HexForce

HYDRAULIC TORQUE WRENCH



MODEL	HEX (mm)	H (mm)	W1 (mm)	W2 (mm)	L (mm)	R (mm)	WEIGHT (kg) (Without Link)	TORQUE (Nm)	
								MIN.	MAX.
CNZ-02	19 - 60	102.1	49.3	31.8	194.6	26 - 44.7	0.9	329	2286
CNZ-05	34 - 80	136.4	65.8	42.4	266	34 - 58.9	2	786	5224
CNZ-10	41 - 105	170.3	82	53.9	320.1	45 - 73.4	3.4	1549	11045
CNZ-18	50 - 120	204	98.4	63.6	371.3	59 - 88.1	5.5	2724	18157
CNZ-25	50 - 120	231	111	72	364	67 - 98.3	6.7	3780	25881
CNZ-42	90 - 165	272.5	131.5	84.5	427.2	78 - 121.9	10.9	6205	41986

MODEL	HEX (inch)	H (inch)	W1 (inch)	W2 (inch)	L (inch)	R (inch)	WEIGHT (lbs) (Without Link)	TORQUE (ft. lbs.)	
								MIN.	MAX.
CNZ-02	3/4" - 2 3/8"	4.0	1.9	1.3	7.7	1.1 - 1.8	1.98	243	1686
CNZ-05	1 5/16" - 3 1/8"	5.4	2.6	1.7	10.5	1.3 - 2.3	4.41	580	3853
CNZ-10	1 5/8" - 4 1/8"	6.7	3.2	2.1	12.6	1.8 - 2.9	7.50	1142	8146
CNZ-18	2" - 4 1/2"	8.0	3.9	2.5	14.6	2.4 - 3.5	12.13	2009	13392
CNZ-25	2" - 4 1/2"	9.1	4.4	2.8	14.3	2.6 - 3.9	14.85	2790	19100
CNZ-42	3 1/2" - 6 1/2"	10.7	5.2	3.3	16.8	3.1 - 4.8	24.03	4577	30967

*Minimum and maximum torque output data may vary.



ADVANCED BOLTING SOLUTIONS PVT. LTD.

HO: "ABS House", Plot No. W-116 (A),
T.T.C. Industrial Area, MIDC Khairane,
Navi Mumbai - 400 710.

Phone: +91 22 3526 4444
E-mail: marketing@absgroup.in
Web: www.absgroup.in