

ELECTRIC PUMPS

EP18 SERIES

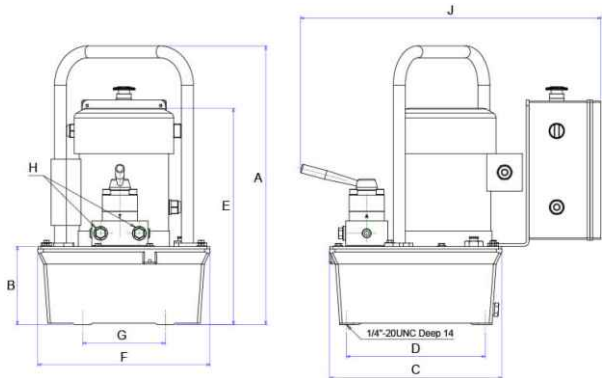
Electric Pumps, 8 Liter

MAX. WORKING PRESSURE: 700 bar/ 10,000 psi



FEATURES

- Original pumps are built with 1/2 HP, 220V, 50/60Hz, Single phases universal brushless motor
- Internal relief valve (700 bars) protects the components and work safety.
- Pumps are included with 24V, 3 meters remote control cord.
- Quiet pumps comply OSHA noise limitation (80dBA at 700bar).
- EP18D specially designed for double-acting cylinders without the need for additional control valve and adapters.
- Conform to CE standards.
- Models available with Solenoid Valve version.



SPECIFICATIONS

Model No.	Acting	RPM 50/60 Hz	Reservoir Capacity (c.c.)	Usable Oil Capacity (c.c.)	Motor	Max. Pressure Output (psi)	Valve		Oil Del. (c.c./min. @)*(60Hz)			
							Type	Function	0 (psi)	100 (psi)	5000 (psi)	10000 (psi)
EP18S	Single	2860 / 3450	8000	7200	0.45 KW 110V / 220V 50 / 60 Hz Single Phase	10000	2 Position / 2 Way	Hold / Retract	4000	2800	330	280

Model No.	A mm	B mm	C mm	D mm	E mm	F mm	G mm	H	J mm	Weight (kgs)
EP18S	504	141.5	311.6	251	391.5	311.6	149.4	3/8"NPT	543.5	32