



HY-115/HY-230/HY-400 PUMPS

HYTORC's HY-Series of electrically operated hydraulic power packs are fast, reliable, efficient and economical. The HY-Series of 4-stage pumps will outperform any standard pump on the market. These hydraulic pumps operate at a very quiet ~80 dB. All pumps come equipped with an oil cooler, making overheating a thing of the past. Simple controls make for short set-up times. An optional Hour Meter is available to better track run times.

HEAVY DUTY REMOTE



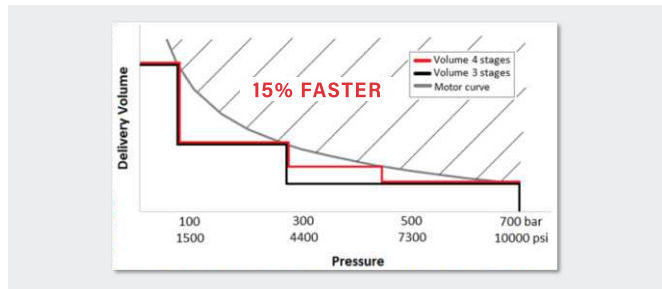
The HY-Series Pump has a heavy duty remote to handle the harshest conditions. The simple 2-button setup makes operations user friendly

LED LIGHT SYSTEM (HY-115)

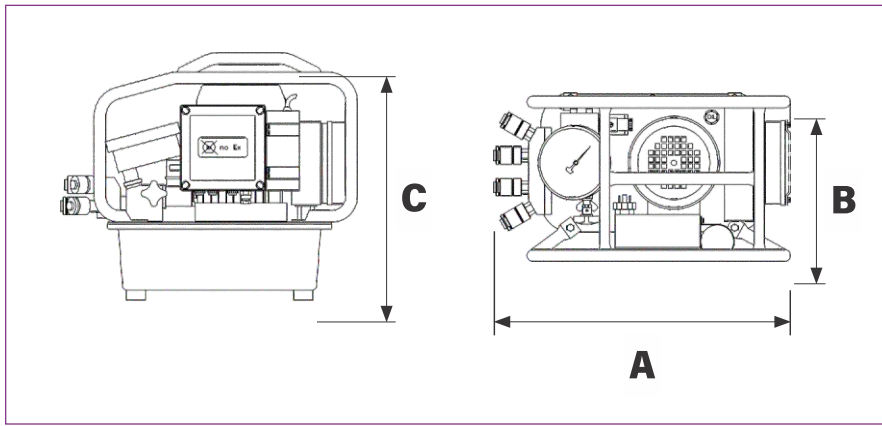


The HY-115 Pump is equipped with three-colored (3) LED lights integrated into the electric control box for system monitoring. The LED lights let you know that you are operating within voltage and temperature limits.

FAST 4-STAGE PUMP DESIGN



By adding a 4th pressure stage in the 4,000 to 7,000 psi range the HY-115/230 Pump increases the flow of oil to the tool. Allowing the tool to cycle faster and resulting in a 15% time savings over old 3-stage pumps.



PUMP DIMENSIONS		
	HY-115/230 (G5)	HY-115/230 (G8)
A	18.8 in. 480 mm	18.8 in. 480 mm
B	9.8 in. 250 mm	11.8 in. 280 mm
C	16.1 in. 410 mm	16.7 in. 425 mm

PUMP SPECIFICATIONS AND FEATURES

Power	115v (17 Amp) / 230v (9 Amp) / 400v (6 Amp)		
Gauge	0-10 k PSI (+/-1% Accuracy)		
Reservoir Capacity	1,35 gals. / 5.1 l (2 gals. / 7.6 l tank optional for the HY-115)		
Stages	4		
Weight	-57 lbs. / 26 kg -60 lbs. / 27 kg		
Hour Meter	Optional		
15' Remote Control	Yes		
Oil Cooler	Yes		
Number of ports	Yes		
Maximum Oil Flow 1,000 PSI 70 bar	HY-115 (60 Hz) 610 cu.in/min. 10,0 l/min.	HY-230 (50 Hz) 549 cu.in/min. 9,0 l/min.	HY-400 (50 Hz) 549 cu.in/min. 9,0 l/min.
Middle Pressure Oil Flow 3,900 PSI 270 bar	HY-115 (60 Hz) 171 cu.in/min. 2,8 l/min.	HY-230 (50 Hz) 147 cu.in/min. 2,4 l/min.	HY-400 (50 Hz) 147 cu.in/min. 2,4 l/min.
Middle Pressure + Oil Flow 6,300 PSI 440 bar	HY-115 (60 Hz) 110 cu.in/min. 1,8 l/min.	HY-230 (50 Hz) 85 cu.in/min. 1,4 l/min.	HY-400 (50 Hz) 85 cu.in/min. 1,4 l/min.
High Pressure Oil Flow 10,000 PSI 700 bar	HY-115 (60 Hz) 67 cu.in/min. 1,1 l/min.	HY-230 (50 Hz) 55 cu.in/min. 0,9 l/min.	HY-400 (50 Hz) 55 cu.in/min. 0,9 l/min.



The World's Most Trusted Industrial Bolting Systems



ADVANCED BOLTING SOLUTIONS PVT. LTD.

HO: "ABS House", Plot No. W-116 (A),
T.T.C. Industrial Area, MIDC Khairane,
Navi Mumbai - 400 708.

Tel: +91 22 4171 4444
E-mail: sales@absgroup.in
Web: www.absgroup.in