



## LION GUN® Electric Torque Tool

The LION GUN Electric Torque Tool with built-in data recording offers unmatched portability and convenience, making safe and accurate bolting simpler than ever. This 18 Volt battery powered tool, with capacity up to 700 ft-lbs, delivers industrial-grade power without the weight. Built-in data recording provides a permanent record of the work performed. This tool is compatible with conventional sockets, the HYTORC Washer, and the HYTORC Nut.

### INDUSTRIAL-GRADE POWER



The LION GUN Tool's industrial-strength gear box is driven by a brushless DC motor connected to a non-impacting gearbox to deliver torque faster, smoother and more reliably than manual clicker wrenches, impact wrenches and other tightening tools.

### UNMATCHED PORTABILITY



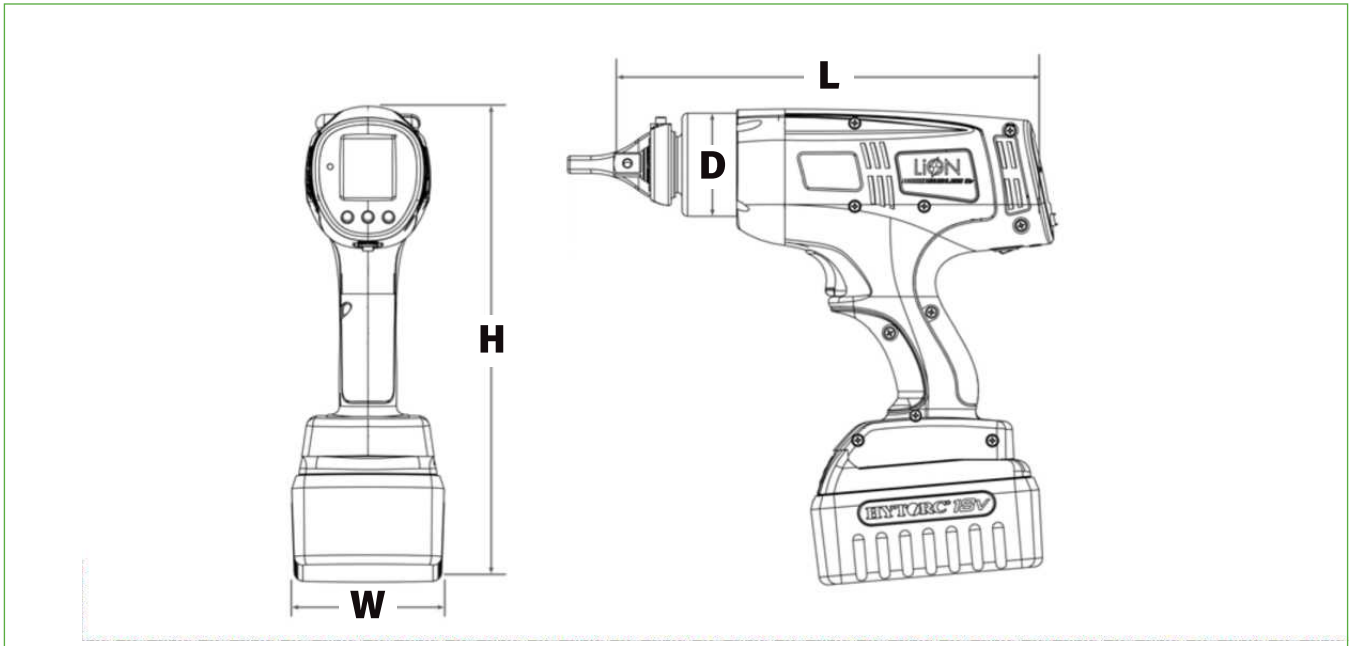
Through the use of aerospace-grade alloys, the LION GUN Tool packs tremendous power without the weight. The 18-Volt lithium-ion battery provides long lasting operation with a quick recharge time to keep the job going.

### DATA RECORDING



Built-in data recording allows the user to maintain a log of all completed bolting jobs. For improved quality control and accountability, the information can be saved to a PC or tablet to provide a permanent record of the work performed.

## ELECTRIC



**LEGEND: H = HEIGHT W = WIDTH L = LENGTH D = DIAMETER**

CONFIGURATION	H	W	L	D	SQUARE DRIVE	WEIGHT	TORQUE		RPM
				in.		lbs.	ft-lbs (Min)	ft-lbs (Max)	
<b>LIONGUN-.25</b>	10.83	3.47	10.16	2.35	1/2	7.30	25	250	11.6
<b>LIONGUN-.7</b>	10.83	3.47	11.13	2.45	3/4	8.22	70	700	4.1
				mm		kg	Nm (Min)	Nm (Max)	RPM
<b>LIONGUN-.25</b>	275	88	258	60	13	3.32	34	339	11.6
<b>LIONGUN-.7</b>	275	88	283	62	19	3.74	95	949	4.1

### COMPLETE KIT CONTENTS

- LION GUN Electric Torque Tool
- Reaction Arm
- Storage Case
- 18V Battery
- Battery Charging System
- Operations Manual
- Calibration Certificate

### CONFIGURATION

#### LIONGUN

**Model:**  
LIONGUN Tool

**Capacity:**  
Available: .25, .7

## The World's Most Trusted Industrial Bolting Systems

HYTORC owns all content, copyrights, trademarks and patents in this document. © 2021 HYTORC. Any unauthorized use or distribution of any material from this document is strictly prohibited.



### ADVANCED BOLTING SOLUTIONS PVT. LTD.

**HO:** "ABS House", Plot No. W-116 (A),  
T.T.C. Industrial Area, MIDC Khairane,  
Navi Mumbai - 400 708.

**Tel:** +91 22 4171 4444  
**E-mail:** sales@absgroup.in  
**Web:** www.absgroup.in