



jGun® DIGITAL Single Speed Pneumatic Torque Tool

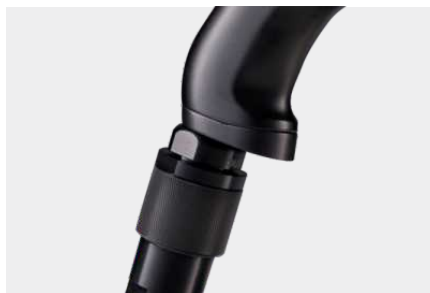
The jGun DIGITAL Single Speed Tool from HYTORC is the world's first torque-adjustable pneumatic multiplier with a digital readout and Filter Regulator and Lubrication (FRL) free operation. Unlike other pneumatic tool systems that require a separate filter, regulator and lubrication system between the air line and the tool, this tool eliminates the need for a separate FRL offering the highest level of portability and convenience. The jGun DIGITAL Single Speed Tool is equipped with standard square drive for conventional sockets and can accommodate drivers for the HYTORC Washer and HYTORC Nut.

DIGITAL READOUT



The jGun DIGITAL Single Speed Tool is the first pneumatic torque tool with an onboard digital readout for instant confirmation of selected torque and pressure. The internal On-Board Processor provides automated torque and unit conversion eliminating the need for pressure-to-torque tables or calculations.

BUILT-IN TORQUE ADJUSTMENT



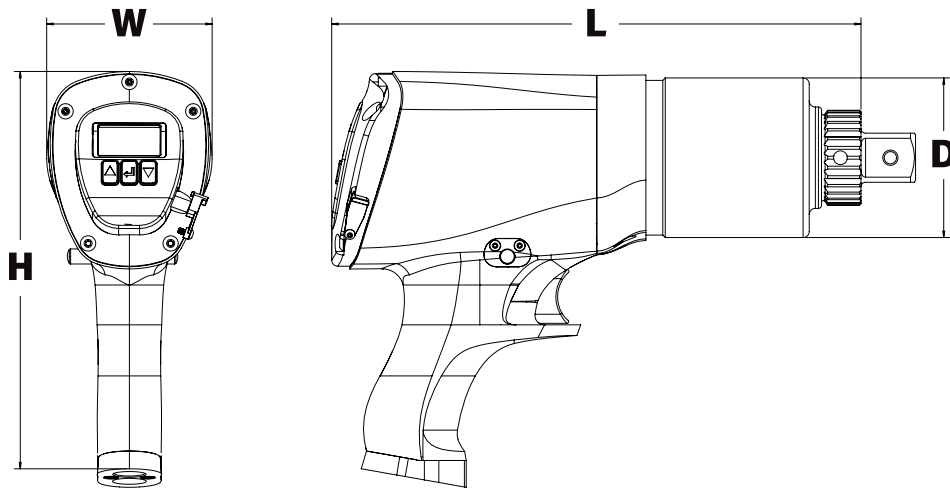
The jGun DIGITAL Single Speed Tool is the first of its kind with an inline air regulator for easy torque adjustment with the simple twist of a dial. The in-line regulator allows the user to quickly adjust from partial to full power and to lock the pressure to assure the correct torque values are applied.

INDUSTRIAL-GRADE MOTOR



This heavy-duty tool is supplied with an industrial grade motor and a rugged planetary gearbox that will stand up to rugged use even in harsh environments. With its maximum power-to-weight ratio, corrosion-resistant design, and low vibration output the jGun DIGITAL Single Speed Tool is the most durable and dependable air-powered Torque tool on the market.

PNEUMATIC



LEGEND: H = HEIGHT W = WIDTH L = LENGTH D = OUTER DIAMETER OF GEARBOX

MODEL NUMBER	H	W	L	D	SQUARE DRIVE	WEIGHT	TORQUE		RPM
IMPERIAL	in.					lbs.	ft-lbs (Min)	ft-lbs (Max)	
JGUN-D.25	7.87	3.15	7.92	2.50	3/4	8.25	60	250	65.0
JGUN-D.5	7.87	3.15	8.94	2.58	3/4	8.85	185	500	24.0
JGUN-D1	7.87	3.15	9.74	2.58	3/4	9.80	350	1,175	6.5
JGUN-D2	8.41	3.37	11.90	3.25	1	16.50	575	2,090	5.5
JGUN-D3	8.41	3.37	12.57	3.25	1	17.70	856	3,180	5.0
JGUN-D5	8.72	3.37	14.04	4.15	1-1/2	28.30	1,395	5,050	2.5
JGUN-D6.5	8.64	3.37	14.56	3.99	1-1/2	21.95	2,300	6,500	2.4
JGUN-D8	8.93	3.37	15.10	4.56	1-1/2	38.40	2,300	7,900	1.5

METRIC	mm				in.	kg	Nm (Min)	Nm (Max)	RPM
JGUN-D.25	200	80	201	64	3/4	3.75	81	339	65.0
JGUN-D.5	200	80	227	66	3/4	4.02	251	678	24.0
JGUN-D1	200	80	247	66	3/4	4.45	475	1592	6.5
JGUN-D2	214	86	302	83	1	7.50	780	2832	5.5
JGUN-D3	214	86	319	83	1	8.05	1161	4309	5.0
JGUN-D5	221	86	357	105	1-1/2	12.86	1891	6843	2.5
JGUN-D6.5	219	86	370	101	38	9.95	3118	8813	2.4
JGUN-D8	227	86	384	116	1-1/2	17.45	3118	10705	1.5

The World's Most Trusted Industrial Bolting Systems

HYTORC owns all content, copyrights, trademarks and patents in this document. © 2021 HYTORC. Any unauthorized use or distribution of any material from this document is strictly prohibited.



ADVANCED BOLTING SOLUTIONS PVT. LTD.

HO: "ABS House", Plot No. W-116 (A),
T.T.C. Industrial Area, MIDC Khairane,
Navi Mumbai - 400 708.

Tel: +91 22 4171 4444
E-mail: sales@absgroup.in
Web: www.absgroup.in