

SERIES: HTS Standard Tensioners

1500 bar pressure
15mm stroke



SAFE AND RELIABLE

- CE marked
- Over-stroke protection
- Max stroke indicator
- Pressure Test Certification
- Full colour operating and safety manual
- Long life performance

LATEST TECHNOLOGY

- Latest seal technology
- High cycle life
- Optimised load to weight ratio
- Integrated system with TensionPro pumps and hoses

IN STOCK FOR QUICK DELIVERY

HTS series standard range tensioners are versatile and reliable hydraulic tensioners suitable for all bolting applications. Optimised for top-side applications they are perfect for tightening ANSI, ASME and API flanges.

PROCESS IMPROVEMENT

HTS Hydraulic Tensioners are quick and simple to use. Installed by hand in minutes, multiple tools are harnessed together to give **IMPROVED SPEED** for the bolt tightening process. The even joint compression ensures uniform bolt loading and gasket compression that gives superior bolted joint performance.

OPTIONS AND FEATURES

- Special threads
- Special load requirements
- Twin or single port
- Special bridge for tight clearance
- Oil pressure calculations
- Long stroke designs
- Interchangeable parts
- High temperature options

PAL PURE AXIAL LOADING

The TensionPro Tensioner method allows bolts to be loaded with an accurate force that is directly proportional to the pressure applied to the tool. **NO FRICTION** bolt tightening for an accurate and repeatable bolt tightening method.

The tensioner load or force is easily calculated:

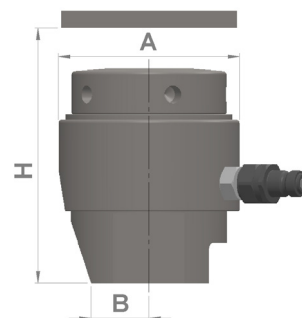
$$F = (P \times A) / 10,000$$

Tensioner Force	F [kN]
Tool Pressure Area	A [mm ²]
Pressure	P [kN]

SERIES: HTS Standard Tensioners

1500 bar pressure

15mm stroke



Tool No	Bolt Thread Size		Maximum Tensioner Load		Pressure	Tool OD	Height Clear	Bridge Clear	Weight
	T		F		HPA	A	H	B	W
	inch	Metric	tonf	kN	mm ²	mm	mm	mm	kg
HTS-10	3/4	M20	22.9	228	1519	74	110	27	3
	7/8	M22					115	27	3
	1	M24					125	30	3.5
	1 1/8	M27					130	32	3.5
HTS-20	-	M30	44.5	443	2954	102	150	30	5
	1 1/4	M33					150	34	5
	1 3/8	M36					160	36	5
	1 1/2	M39					170	38	5
HTS-30	1 1/2	M39	81.4	811	5406	133	175	42	9
	1 5/8	M42					185	42	9
	1 3/4	M45					195	44	9
	1 7/8	M48					205	46	9
	2	M52					210	48	9
HTS-40	1-7/8	M48	127.8	1273	8490	163	205	50	15
	2	M52					215	52	15
	2 1/4	M56					235	54	15
	-	M60					238	54	15
	2 1/2	M64					254	58	15
HTS-50	2 1/2	M64	183.6	1829	12196	193	254	64	25
	-	M68					258	72	25
	2 3/4	M72					258	72	25
	3	M76					258	74	25
HTS-60	3	M76	265.4	2644	17627	231	260	76	44
	-	M80					264	76	44
	3 1/4	M85					272	80	44
	3 1/2	M90					280	90	44
	3 3/4	M95					300	100	40.5
	4	M100					305	105	40.5
HTS-70	3 1/2	M90	361.3	3600	24000	275	Dependent on application nut details		
	3 3/4	M95							
	4	M100							
	4 1/4	M105							
HTS-80	4 1/4	M105	466.7	4650	31000	315	Dependent on application nut details		
	-	M110							
	4 1/2	M115							
	4 3/4	M120							
	5	M125							

Note: HTS10 is 12mm max stroke