



## LION GUN® Electric Torque Tool

The LION GUN Electric Torque Tool with built-in data recording offers unmatched portability and convenience, making safe and accurate bolting simpler than ever. This 18-Volt battery powered tool, with capacity up to 700 ft-lbs, delivers industrial-grade power without the weight. Built-in data recording provides a permanent record of the work performed. This tool is compatible with conventional sockets, the HYTORC Washer, and the HYTORC Nut.

### INDUSTRIAL-GRADE POWER



The LION GUN Tool's industrial-strength gear box is driven by a brushless DC motor connected to a non-impacting gearbox to deliver torque faster, smoother and more reliably than manual clicker wrenches, impact wrenches and other tightening tools.

### UNMATCHED PORTABILITY



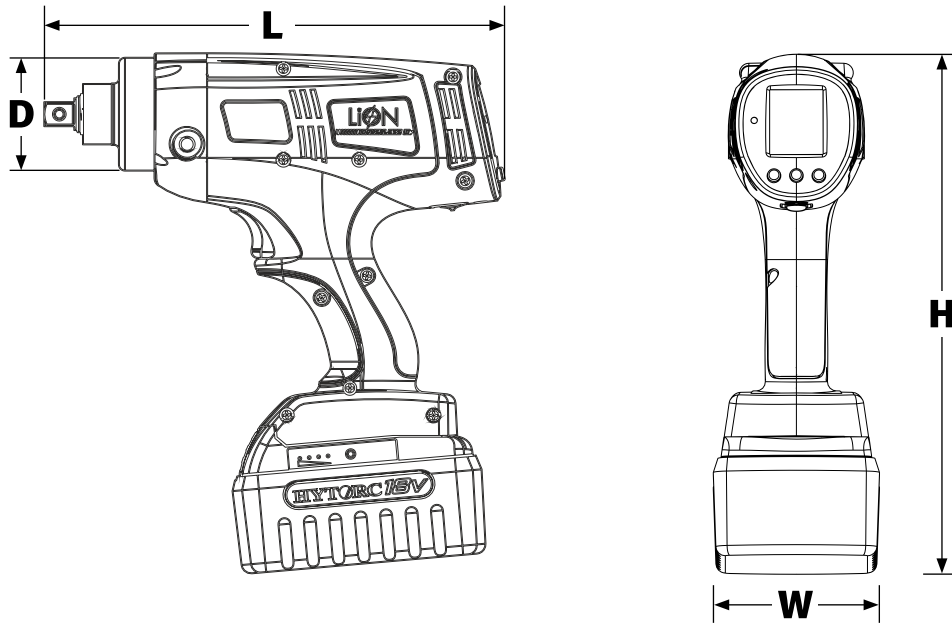
Through the use of aerospace-grade alloys, the LION GUN Tool packs tremendous power without the weight. The 18-Volt lithium-ion battery provides long lasting operation with a quick recharge time to keep the job going.

### DATA RECORDING



Built-in data recording allows the user to maintain a log of all completed bolting jobs. For improved quality control and accountability, the information can be saved to a PC or tablet to provide a permanent record of the work performed.

# ELECTRIC



LEGEND: H = HEIGHT W = WIDTH L = LENGTH D = DIAMETER

CONFIGURATION	H	W	L	D	SQUARE DRIVE	WEIGHT	TORQUE		RPM
IMPERIAL	in.					lbs.	ft-lbs (Min)	ft-lbs (Max)	
LIONGUN-.25	10.83	3.47	10.16	2.35	1/2	7.30	25	250	11.6
LIONGUN-.7	10.83	3.47	11.13	2.45	3/4	8.22	70	700	4.1
LIONGUN-.25-BSM	10.83	3.47	10.16	2.35	1/2	7.30	25	250	11.6
LIONGUN-.7-BSM	10.83	3.47	11.13	2.45	3/4	8.22	70	700	4.1

METRIC	mm				in.	kg	Nm (Min)	Nm (Max)	RPM
LIONGUN-.25	275	88	258	60	1/2	3.32	34	339	11.6
LIONGUN-.7	275	88	283	62	3/4	3.74	95	949	4.1
LIONGUN-.25-BSM	275	88	258	60	1/2	3.32	34	339	11.6
LIONGUN-.7-BSM	275	88	283	62	3/4	3.74	95	949	4.1

## COMPLETE KIT CONTENTS

- LION GUN Electric Torque Tool
- Reaction Arm
- Storage Case
- 18V Battery
- Battery Charging System
- Operations Manual
- Calibration Certificate

## CONFIGURATION

### LIONGUN

#### Model:

LIONGUN Tool

#### Capacity:

Available: .25, .7

#### Communication:

BSM: Bluetooth Communication  
Blank: USB Only

## The World's Most Trusted Industrial Bolting Systems

HYTORC owns all content, copyrights, trademarks and patents in this document. © 2021 HYTORC. Any unauthorized use or distribution of any material from this document is strictly prohibited.



## ADVANCED BOLTING SOLUTIONS PVT. LTD.

HO: "ABS House", Plot No. W-116 (A),  
T.T.C. Industrial Area, MIDC Khairane,  
Navi Mumbai - 400 710.

Ph No: +91 82828 29795  
E-mail: lead@absgroup.in  
Web: www.absgroup.in